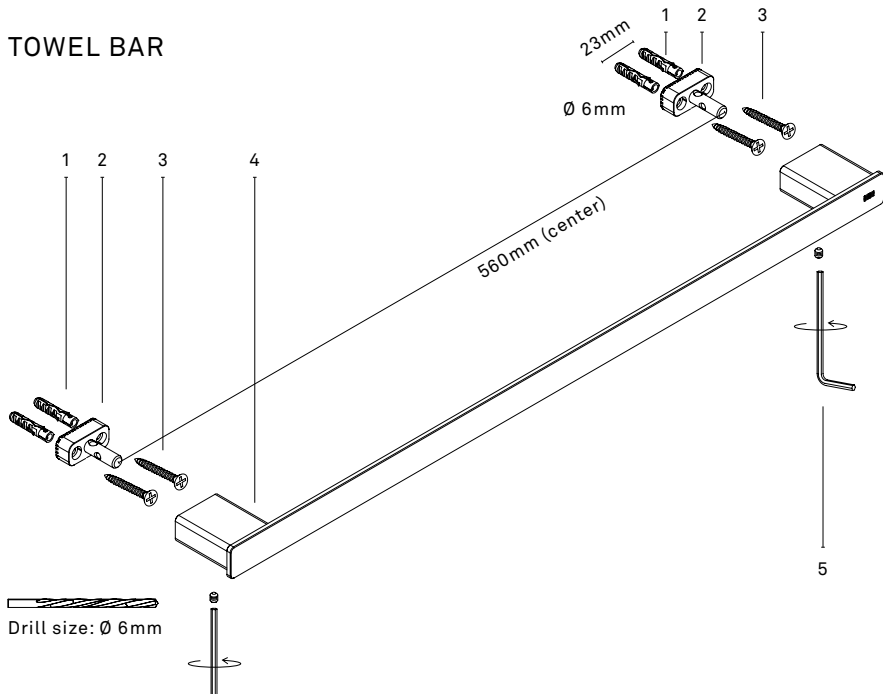


MOUNTING INSTRUCTIONS

TOWEL BAR



Cleaning & Maintenance

Always spray detergents on a cloth and not directly on the product, and rinse the surface thoroughly with water afterwards. Residues from basic detergents that are not washed off with water may cause damage to the surface. Do not use detergents containing strong acids or chemicals such as iodine, chlorine, fluorine, bromine and hydrogen peroxides. These chemicals can cause damage to the protective layer of the product.

For maintenance we recommend using a gentle care product for stainless steel. Always rub brushed steel in the direction of the brush lines.

Glue

If you wish to glue the towel bar on the wall, please order our glue and mounting kit from your dealer. For further information go to:

www.unidrain.com/reframe