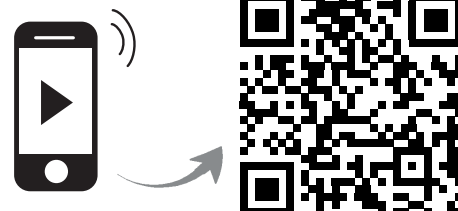
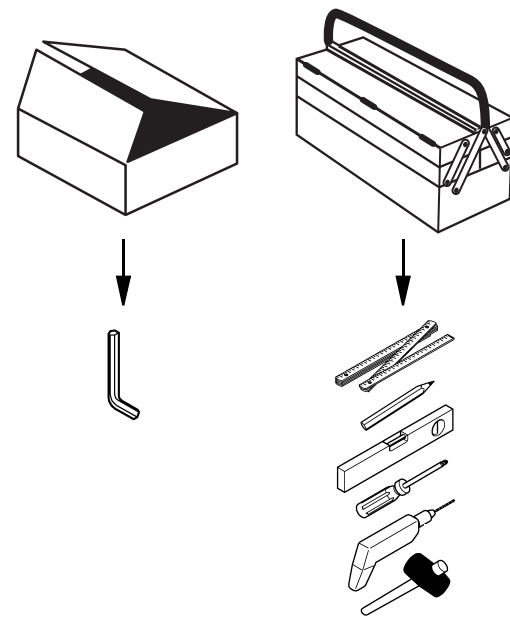
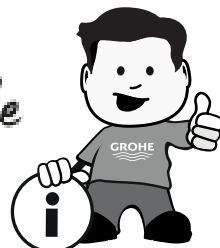


QUICKFIX

GROHE



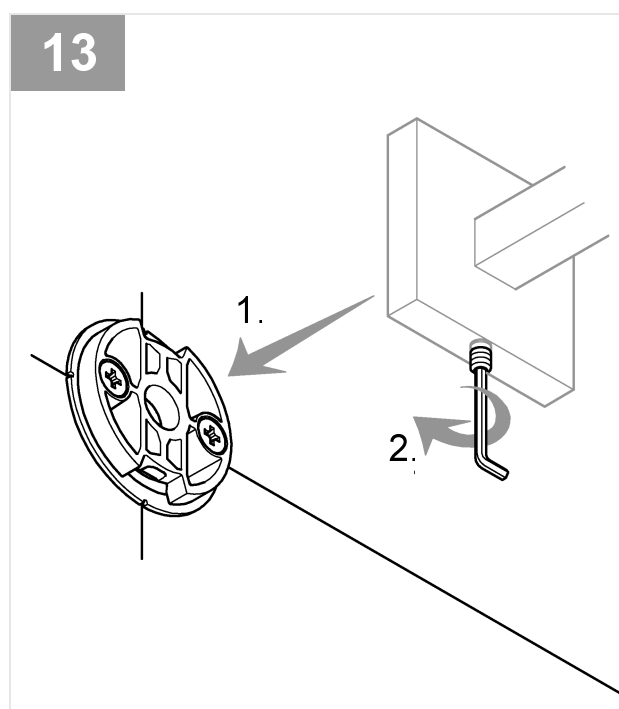
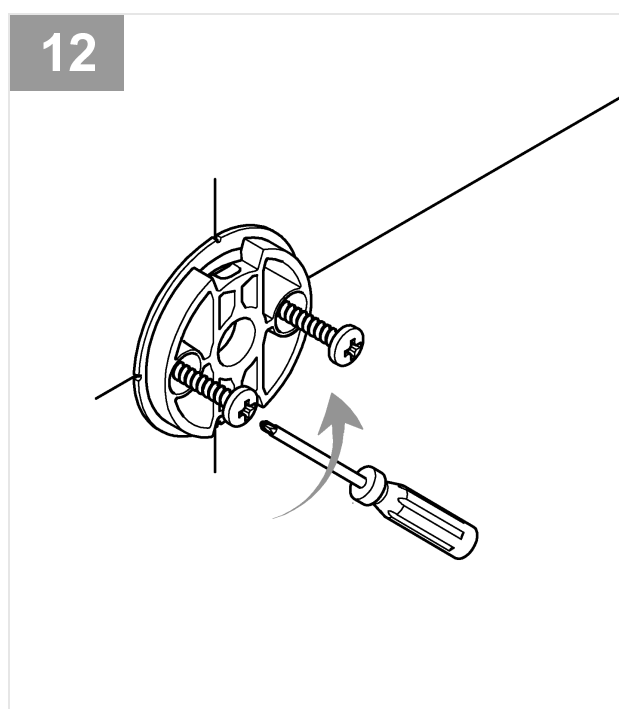
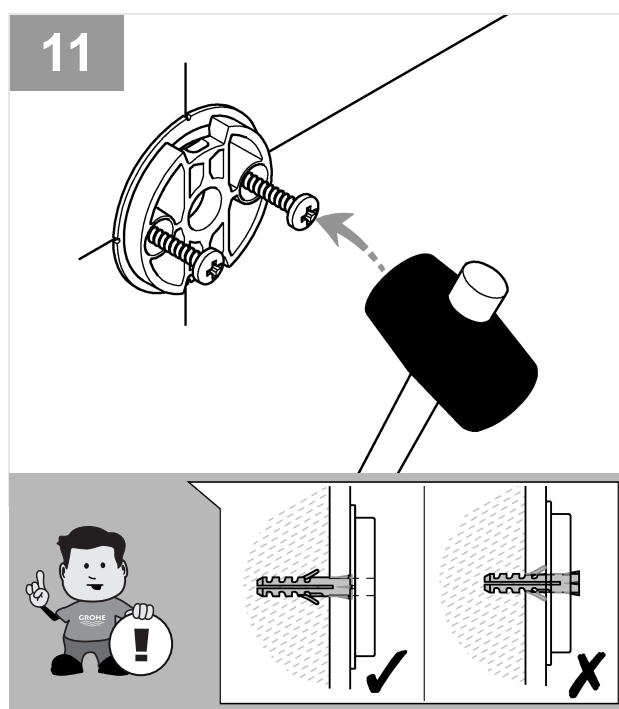
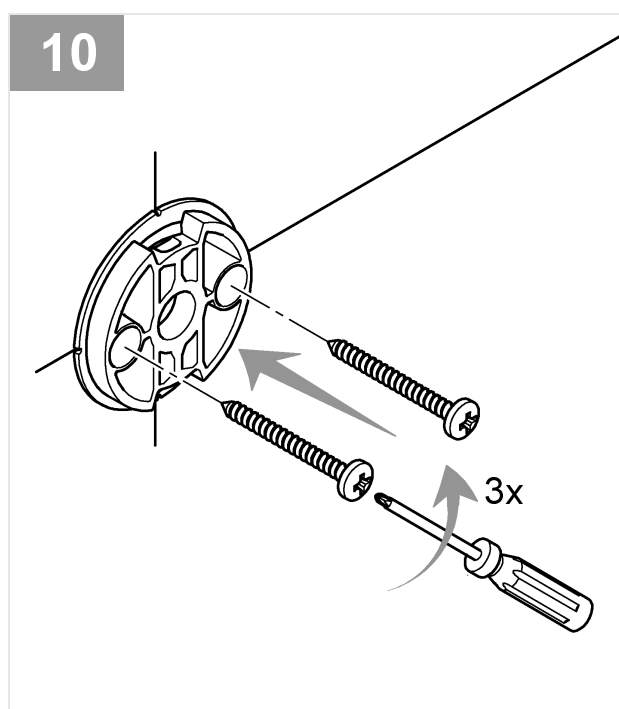
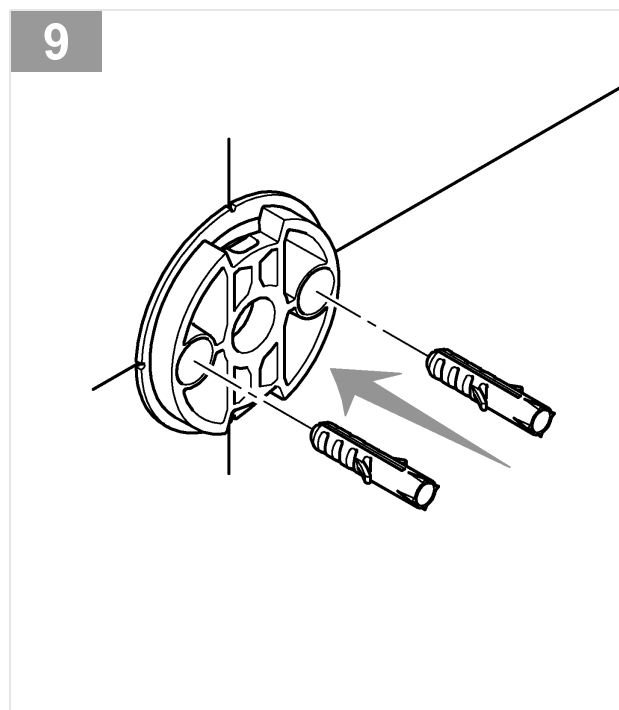
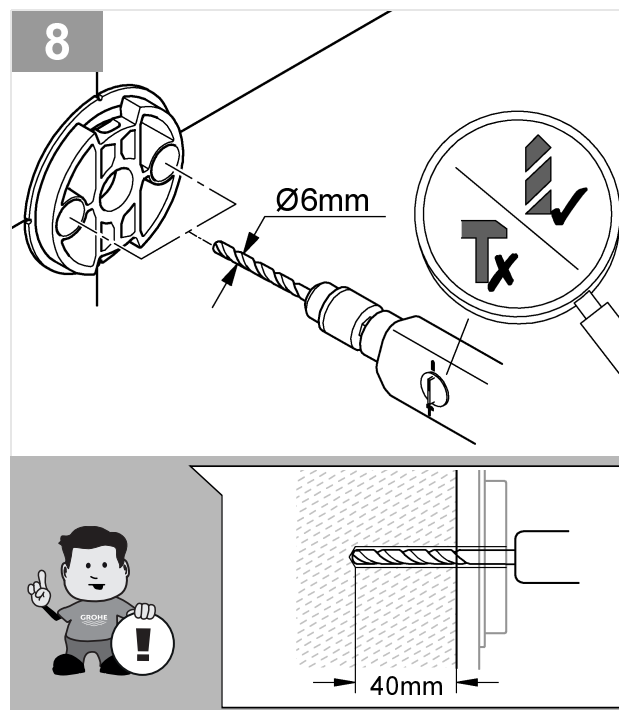
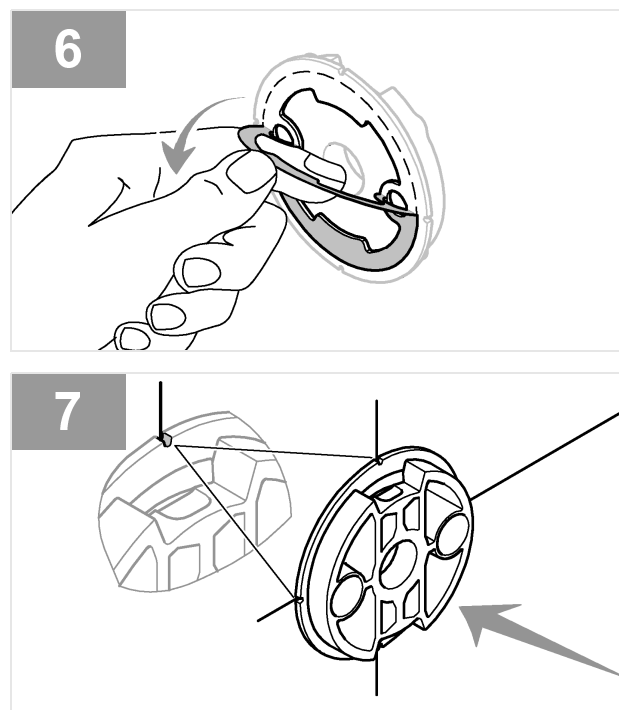
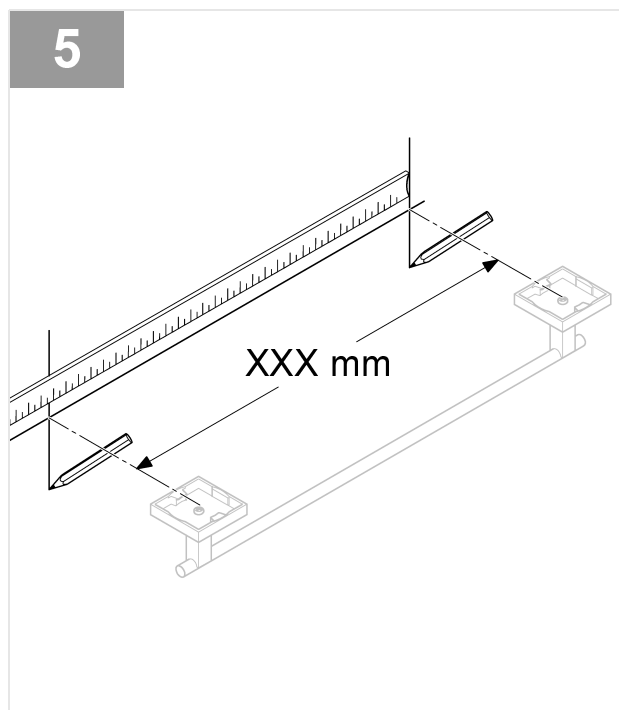
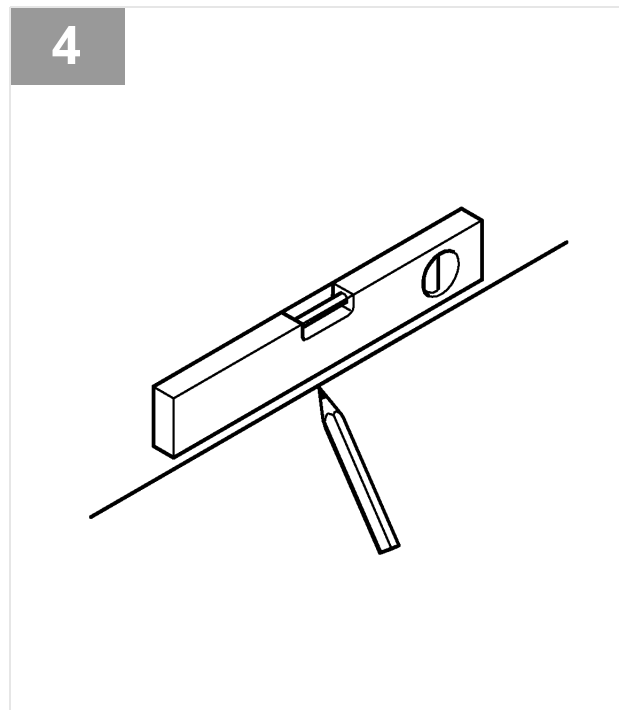
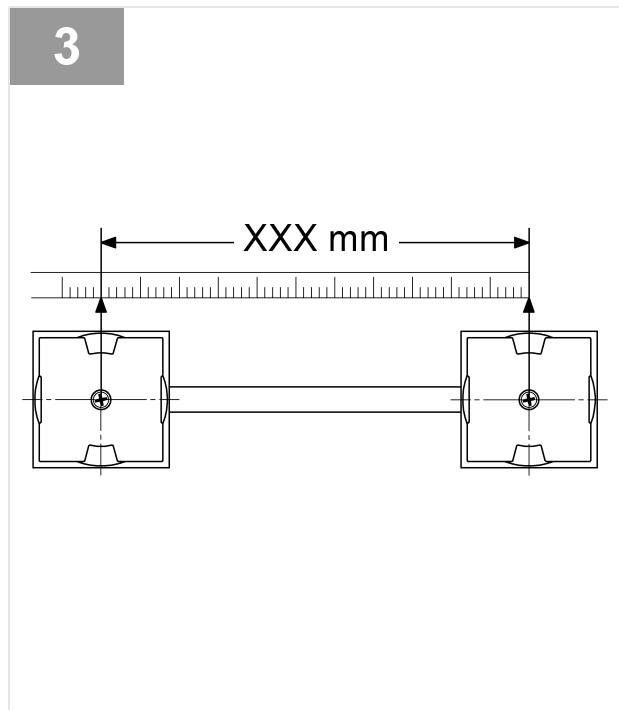
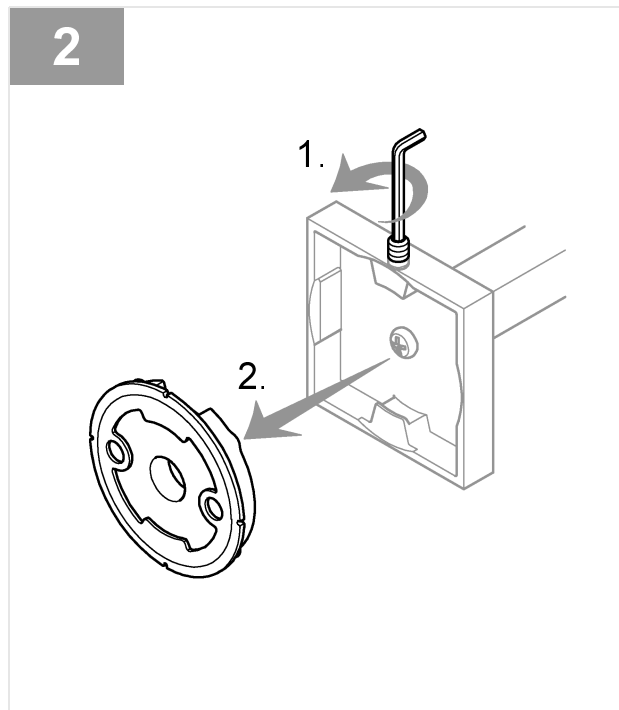
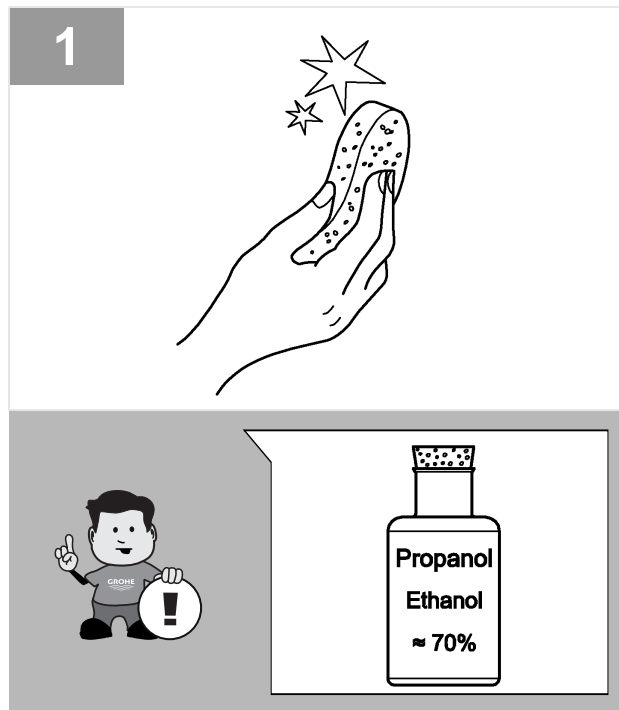
QuickGuide



§ DIN 1988  
DIN EN 806 !

DESIGN + ENGINEERING GROHE GERMANY  
www.grohe.com

99.1863.031/ÄM 252372/06.22



DESIGN + ENGINEERING GROHE GERMANY  
www.grohe.com

99.1863.031/ÄM 252372/06.22

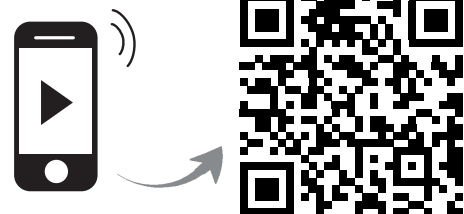
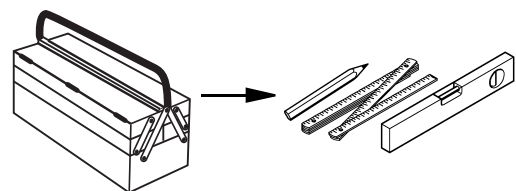
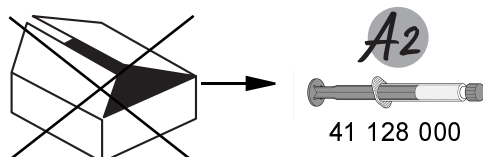
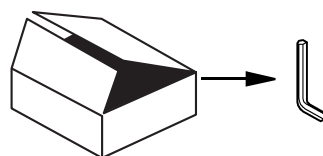


QUICKFIX

GROHE



QuickGuide

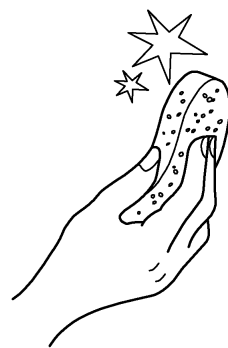


DIN 1988  
DIN EN 806

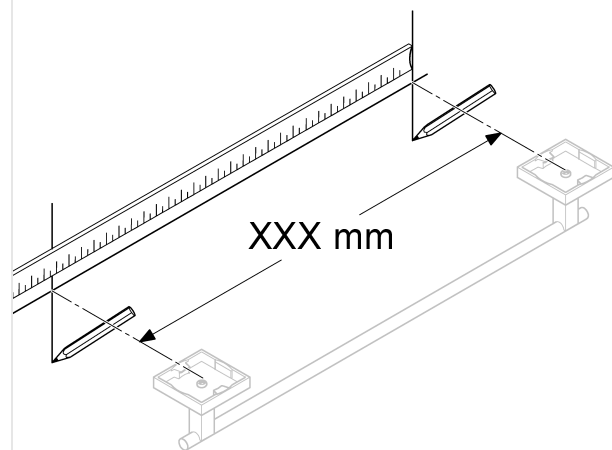
DESIGN + ENGINEERING GROHE GERMANY  
www.grohe.com

99.1862.031/ÄM 252372/06.22

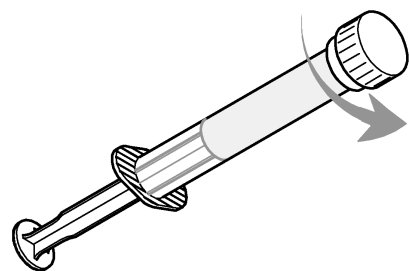
1



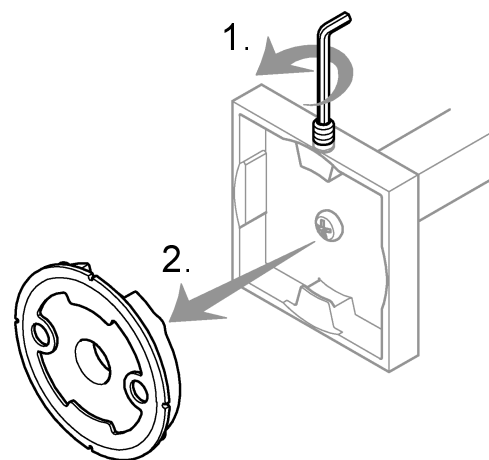
5



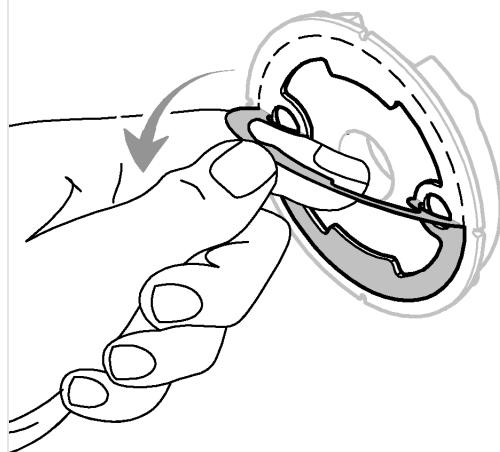
9



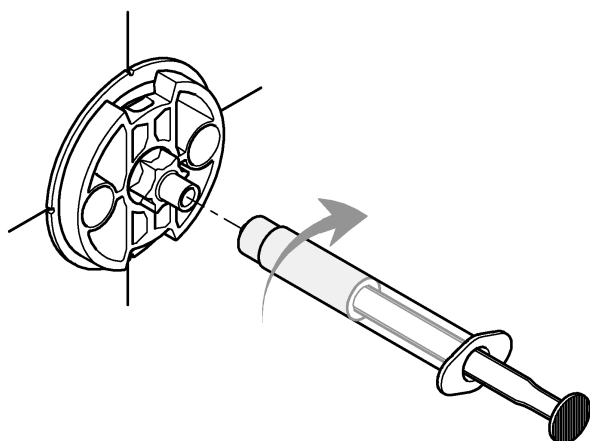
2



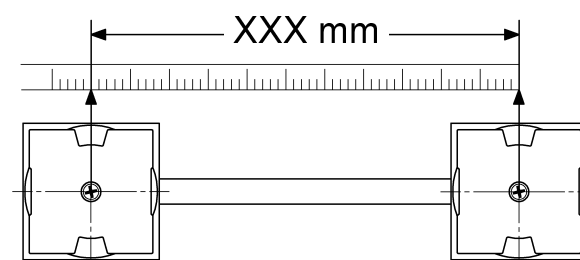
6



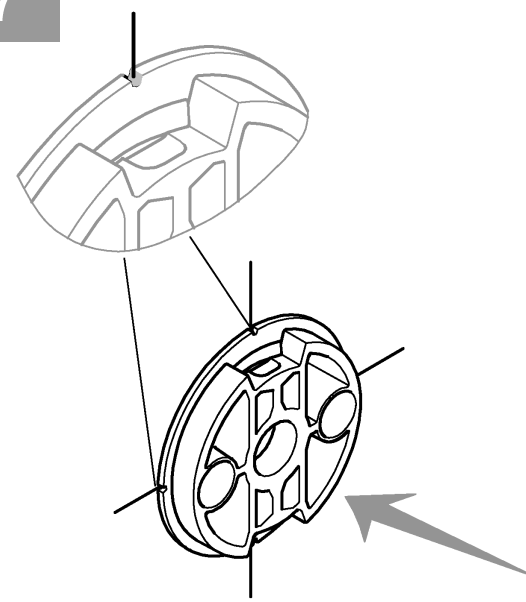
10



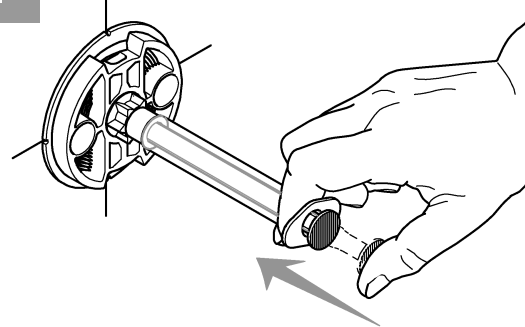
3



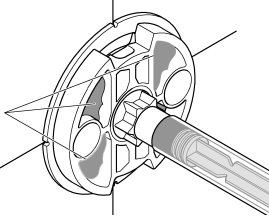
7



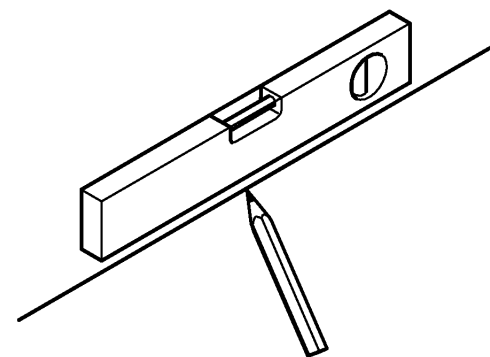
11



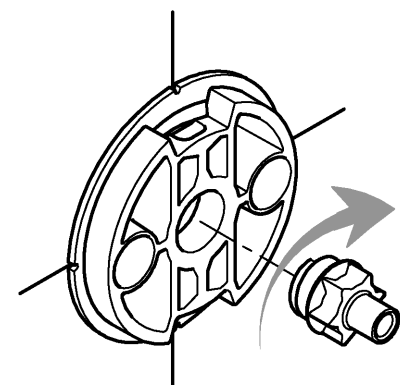
STOP!



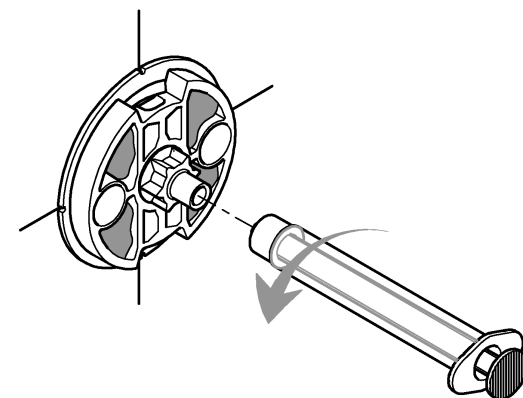
4



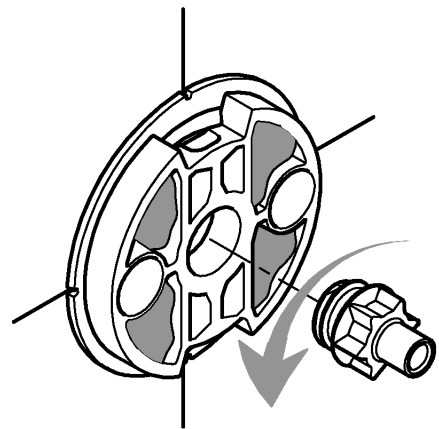
8



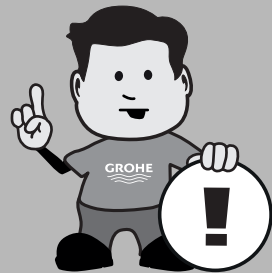
12



13



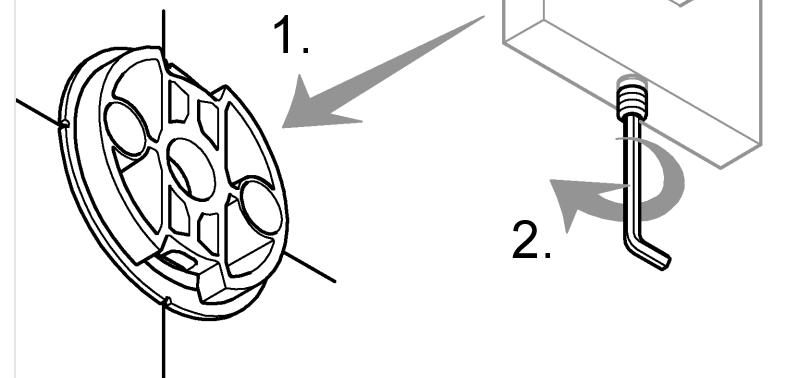
14



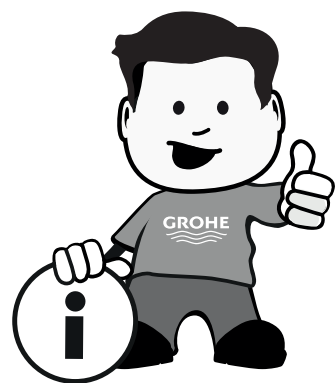
24h



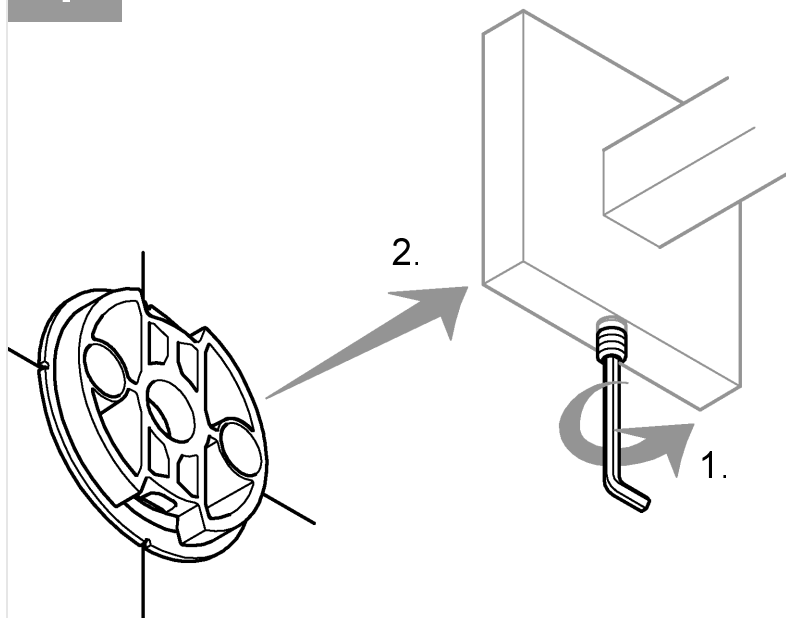
15



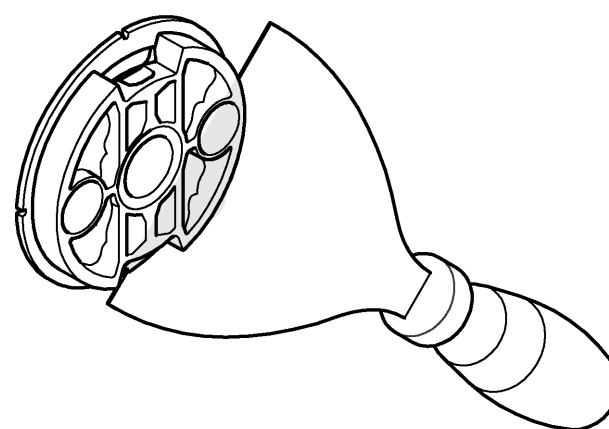
Easy off



1



2



3

