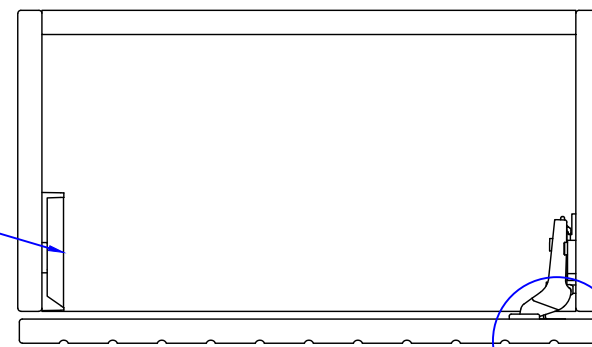
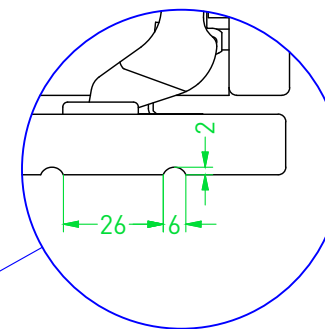


Blum soft close hinges

Blum tip-on motion



Detail B



Reversible door (holes for hinges and push to open system on both sides of the cabinet)

DRAWING TITLE	FOK P20 V		
SANIBELL	Drawn	Gaga de Klerk	
	Date	22/06/2023	
	Units	mm	

All achieved (originals of) results (such as designs, design sketches, concepts, advice, working drawings, illustrations, photos, prototypes, models, molds, prototypes, (partial) products, presentations and other materials or (electronic) files, etc.) remain the property of Sanibell, whether or not they have been made available to third parties. All resulting intellectual property rights - including patent, trademark, drawing or design rights and copyright - on the results of the proposal belong to Sanibell.